

ELECTRIC GUITAR

AEX520

SERVICE MANUAL



■ CONTENTS

OVERALL ASSEMBLY.....	2
PARTS LIST	3
CIRCUIT DIAGRAM	4
WIRING	4
SPECIFICATIONS.....	4

EG 011444

19981201-58000

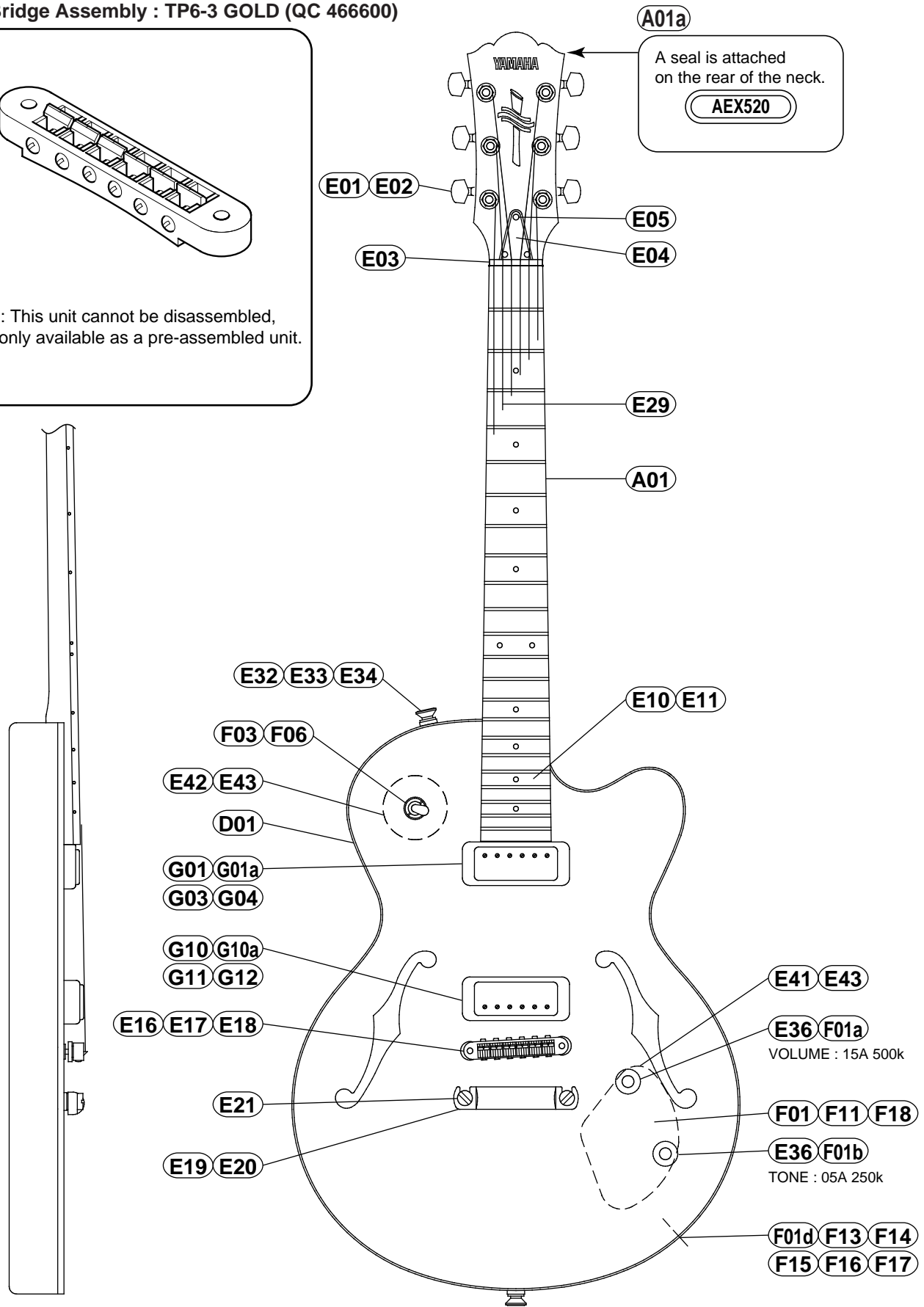
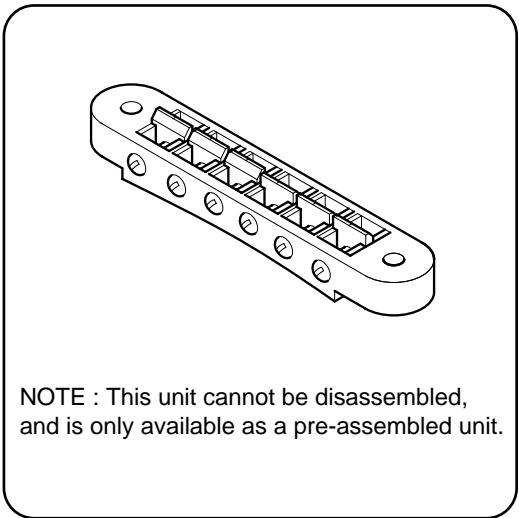


HAMAMATSU, JAPAN

1.25K-901 Printed in Japan '98.11

OVERALL ASSEMBLY

E16 Bridge Assembly : TP6-3 GOLD (QC 466600)



■ PARTS LIST

REF NO.	PART NO.	DESCRIPTION		REMARKS	QTY	RANK
* A01	DX809770	OVERALL ASSEMBLY		AEX520		
A01a	--	Neck Assembly		(QC45770)		
D01	--	Seal				
		Body				
E01	QA170800	Tuning Machine Assembly	RM-1271GVR	1set		
E02	03704070	Round Head Wood Screw	2.4X10 GOLD (GL)		6	
E03	VQ014700	Nut	43mm (Ivory)			02
E04	VQ011800	Rod Cover	BL			02
E05	03706220	Oval Head Wood Screw	2.1X10 FCM3BL (BL)		3	01
E10	QC205200	Neck Joint Bushing	BL		4	04
E11	EN240070	Oval Head Tapping Screw	5.0X45 FCM3BL (BL)		4	
* E16	QC466600	Bridge Assembly	TP6-3 (GOLD)			
* E17	QC466700	Bridge Adjusting Screw	TP6-3S (GOLD)		2	
* E18	QC466800	Nut	TP6-3B (GOLD)		2	
* E19	QC466900	Tailpiece Assembly	TP6-1 (GOLD)			
* E20	QC467000	Tailpiece Column	TP6-1S (GOLD)		2	
* E21	QC467100	Nut	TP6-1B (GOLD)		2	
E29	--	Strings	XL-115	1set (QC40220)		
E32	BB802460	Strap Button	GOLD		2	02
E33	EN230130	Oval Head Wood Screw	3.0X25 GOLD (GL)		2	02
E34	VB793700	Spacer	BL		2	01
* E36	QC476800	Knob	GOLD	VOLUME, TONE	2	
E41	VD955600	Back Cover	Electrical (BL)			
E42	CB023450	Back Cover	Switch (BL)			
E43	EB620020	Oval Head Wood Screw	2.7X13 FCM3BL (BL)		7	03
F01	--	Electrical Unit		(QC47840)		
F01a	HS120070	Variable Resistor	15A 500K ohm	VOLUME		
F01b	HS120100	Variable Resistor	05A 250K ohm	TONE		
F01c	UA114220	Mylar Cap.	0.022uF 50 K			
F01d	QC234900	Jack				
F03	QA025000	Pickup Switch	3-P GOLD			
F06	VA295700	Washer	BL			
F11	ET800010	Toothed Lock Washer	A12S			
F13	VB518300	Jack Panel	BL			05
F14	EB620020	Oval Head Wood Screw	2.7X13 FCM3BL (BL)		2	03
F15	LX200020	Hexagonal Nut	9S FCM33G			01
F16	LX200010	Flat Washer	9S FCM3BL			01
F17	ET800180	Toothed Lock Washer	A9S FNM33G			
F18	EA620060	Round Head Wood Screw	2.7X13 FCM33G (CR)		2	
* G01	QC477700	Pickup Assembly		Front		
* G01a	QC473800	Pickup Escutcheon	Ivory			
G03	VJ388800	Round Head Wood Screw	2.6X35 FCM3BL (BL)		2	
G04	CB817760	Pickup Cushion				
* G10	QC477700	Pickup Assembly		Rear		
* G10a	QC473800	Pickup Escutcheon	Ivory			
G11	CB817760	Pickup Cushion				
G12	VJ388800	Round Head Wood Screw	2.6X35 FCM3BL (BL)		2	
H01	QC354400	Accessory Unit (G-5)		1set		08
*	QC466600	Bridge Assembly	TP6-3 (GOLD)			

* New Parts

RANK: Japan only

WARNING: CHEMICAL CONTENT NOTICE!

The solder used in the production of this product contains LEAD. In addition, other electrical/electronic and/or plastic (where applicable) components may also contain traces of chemicals found by the California Health and Welfare Agency (and possibly other entities) to cause cancer and/or birth defects or other reproductive harm.

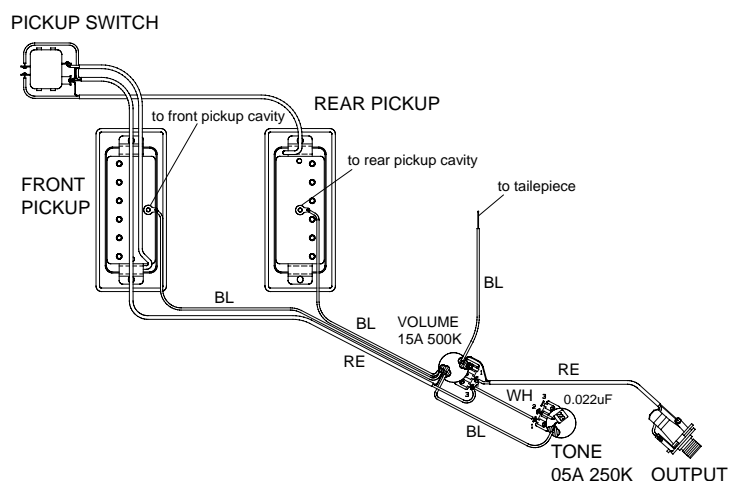
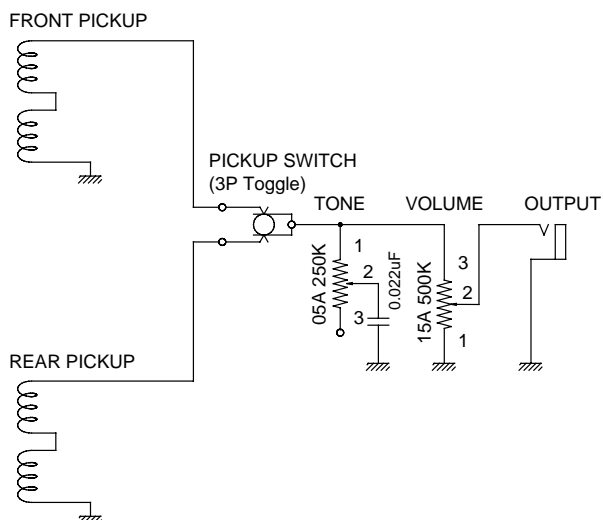
DO NOT PLACE SOLDER, ELECTRICAL/ELECTRONIC OR PLASTIC COMPONENTS IN YOUR MOUTH FOR ANY REASON WHAT SO EVER!

Avoid prolonged, unprotected contact between solder and your skin! When soldering, do not inhale solder fumes or expose eyes to solder/flux vapor!

If you come in contact with solder or components located inside the enclosure of this product, wash your hands before handling food.

■ CIRCUIT DIAGRAM

■ WIRING



■ SPECIFICATIONS

● STANDARD SPECIFICATIONS

Scale Length628.6mm
 Body-Neck ConstructionBolt On
 Length979.0mm
 Width360.0mm
 Net Weight3.0kg

● COLOR

Body
 BLBlack
 OST-WBOrange Satin
 BS-WBBrown Sunburst
 Neck
 BLBlack

● BODY

MaterialAlder, Spruce, Sycamore
 Body Depth47.0mm

● FINGERBOARD

MaterialRosewood
 Fingerboard Width0-F 43.0 mm, 12-F 52.3 mm
 No. of Frets22

● NECK

MaterialMaple
 Neck Thickness1-F 20.9 mm, 12-F 23.1 mm

● PARTS

HardwareGold Plated
 NutUrea
 BridgeTP6-3: Gold
 StringsXL-115

● CONTROLS

Volume15A 500k ohm x 1
 Tone05A 250k ohm x 1
 Pickup SwitchToggle switch: Gold
 (3 position)

● PICKUPS

Front/ RearSmall Humbucking
 Magnet
 Front/RearAlnico